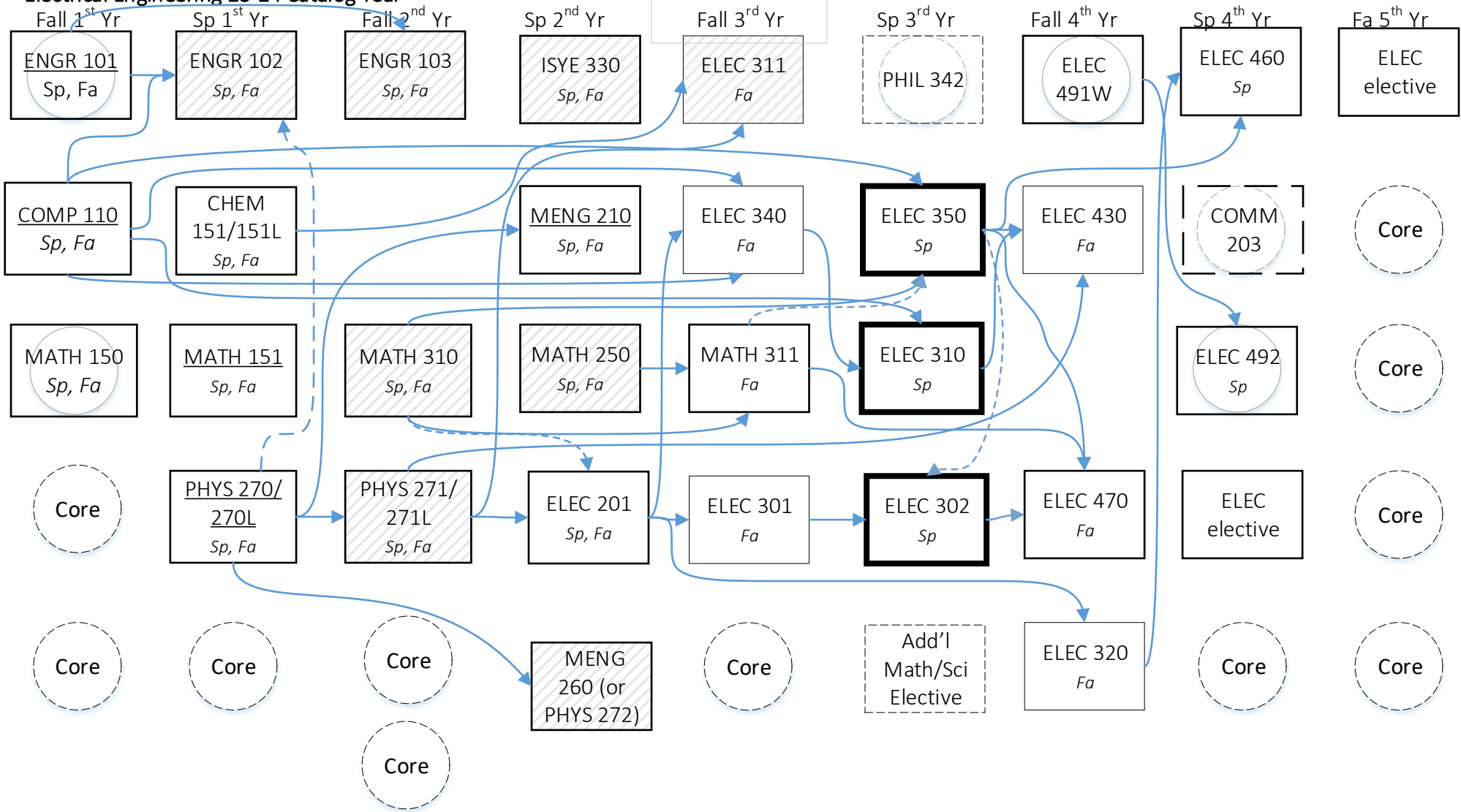


Electrical Engineering 23-24 Catalog Year



- Bold** Outline courses are Senior Design Co/Prereqs
- Underlined courses have MATH 150 pre/coreq
- Striped fill courses have a MATH 151 Co/Prereq
- Solid arrows=prereq; dashed=coreq
- Dashed outlines are offered in both Fall and Spring semesters

Total Major Units

10	15	10	17	17	11	15	13	3
Recommended Total Units								
16	18	16	17	17	17	15	16	15



